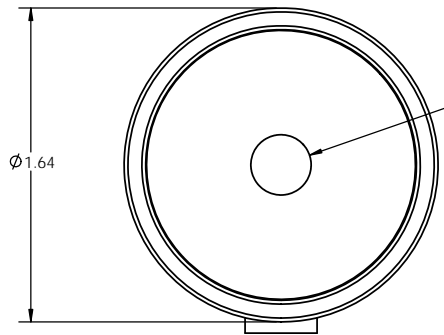
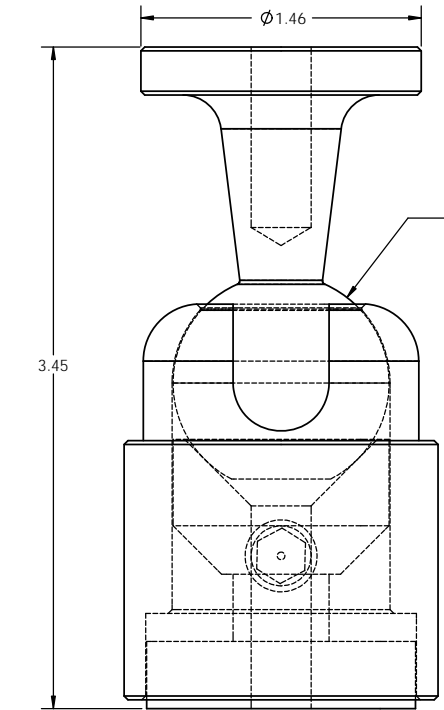


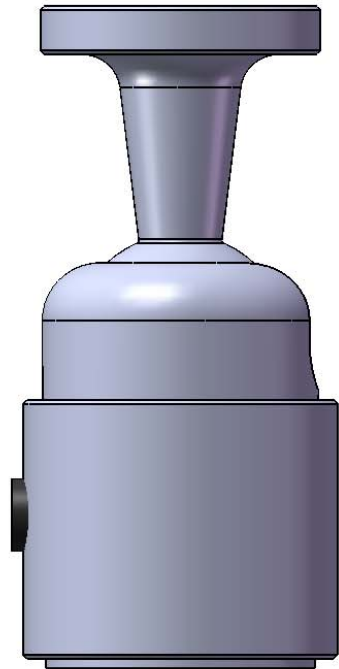
REVISIONS		DATE	APPROVED
ZONE	REV	DESCRIPTION	
	A		



Ø.31
3/8"-16 Tapped Hole



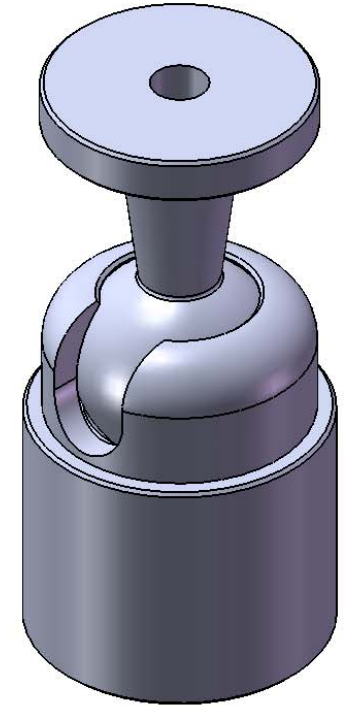
Ø1.13



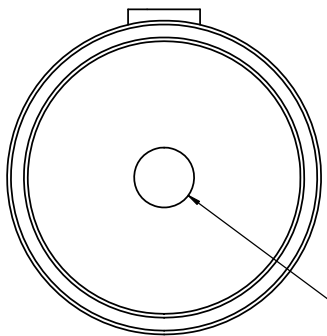
SIDE



BACK SIDE



Ø.31
3/8"-16 Set Screw Hole



Ø.31
3/8"-16 Tapped Hole

Tiger Industrial
www.TigerIndustrial.com
 (714) 545-5707
 Costa Mesa, CA
 design@TigerIndustrial.com

PROPRIETARY AND CONFIDENTIAL
 THE INFORMATION CONTAINED IN THIS DRAWING IS THE SOLE PROPERTY OF TIGER INDUSTRIAL. ANY REPRODUCTION IN PART OR AS A WHOLE WITHOUT THE WRITTEN PERMISSION OF TIGER INDUSTRIAL IS PROHIBITED.

UNLESS OTHERWISE SPECIFIED:		NAME	DATE	
DIMENSIONS ARE IN INCHES	DRAWN			
TOLERANCES:	CHECKED			
FRACTIONAL: 1/64	ENG APPR			
TWO PLACE DECIMAL: ± 0.01	MFG APPR			
THREE PLACE DECIMAL: ± 0.005	D.A.			
INTERPRET GEOMETRIC TOLERANCING PER:	COMMENTS:			
MATERIAL: ALUMINUM 6061				
FINISH: ANODIZE				
DO NOT SCALE DRAWING				

TITLE:		
BALL MOUNT 1.125"		
SIZE: C	DWG. NO.: TI-BM1	REV: A
SCALE: 2:1	WEIGHT:	SHEET 1 OF 1